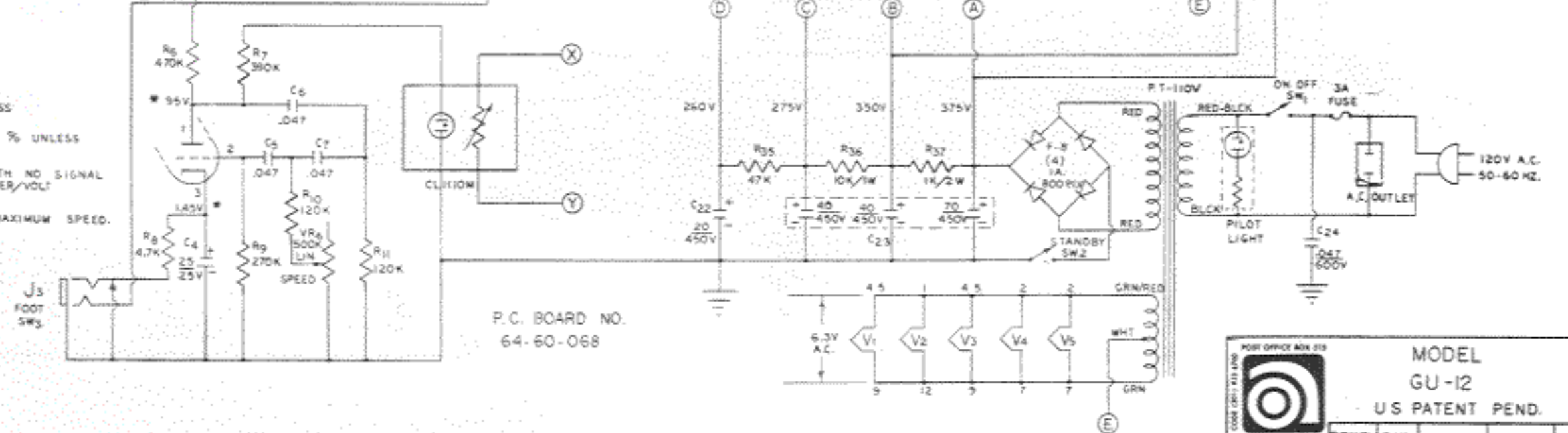


- NOTES**
- ALL CAPACITORS IN MFD & 400V UNLESS OTHERWISE STATED.
 - ALL RESISTORS IN OHMS 1/2W. ±10% UNLESS OTHERWISE STATED.
 - ALL VOLTAGE READINGS ARE D.C. WITH NO SIGNAL INSERTED USING A 20,000 OHMS PER VOLT VOLTMETER.
 - * THESE VOLTAGE READINGS TAKEN AT MAXIMUM SPEED.



P.C. BOARD NO.
64-60-068

POST OFFICE BOX 319
MAIL CODE 0801 414 400
ampeg
LINDEN, NEW JERSEY

MODEL
GU-12
U.S. PATENT PEND.

DRN BY	DATE	PART NO.	DMG. NO.	REV.
S.C.	10/69	4010238	05900	